

ASSEMBLY INSTRUCTION FOR WC-45-7480L-WSR-BW- 75"

MALMO

Note:

- Read Instructions carefully.
- Carefully identify each component especially those that are similar.
- Separate and identify each component from the hardware pack and rest each one in its proper location before fastening.
- Do not over tighten the screws or bolts when assembling.

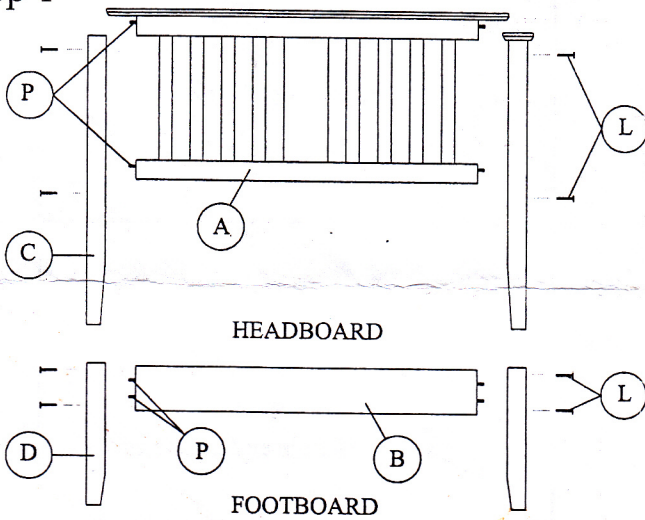


TOOL REQUIRED



2 Persons

Step 1

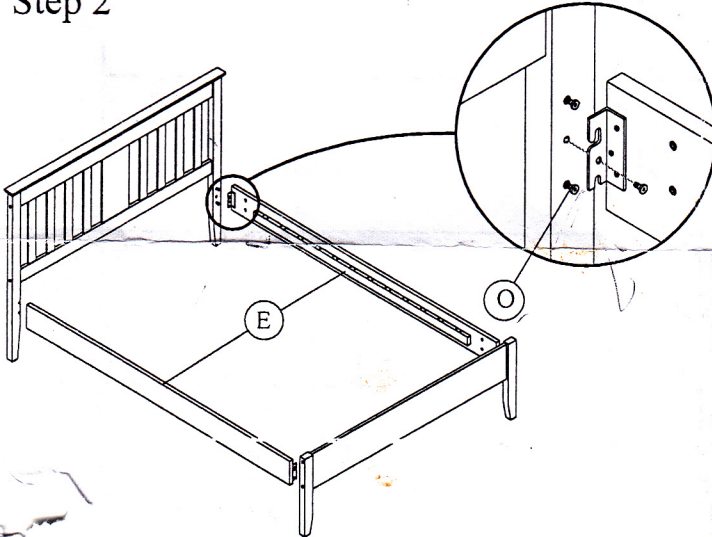


HEADBOARD

FOOTBOARD

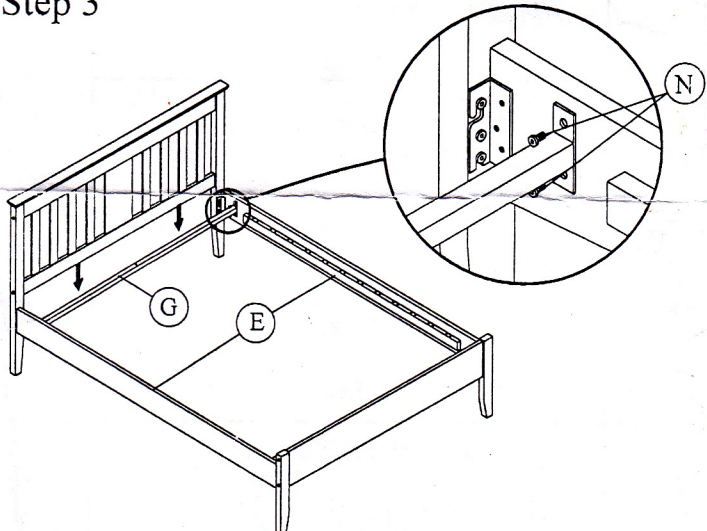
Assemble the bed frame component and tighten all bolt.

Step 2



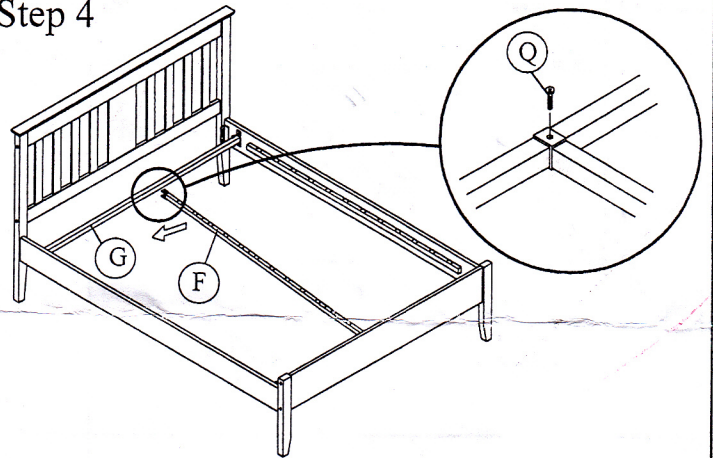
Hook the side rail to bolt as shown and don't tighten the bolt yet.

Step 3



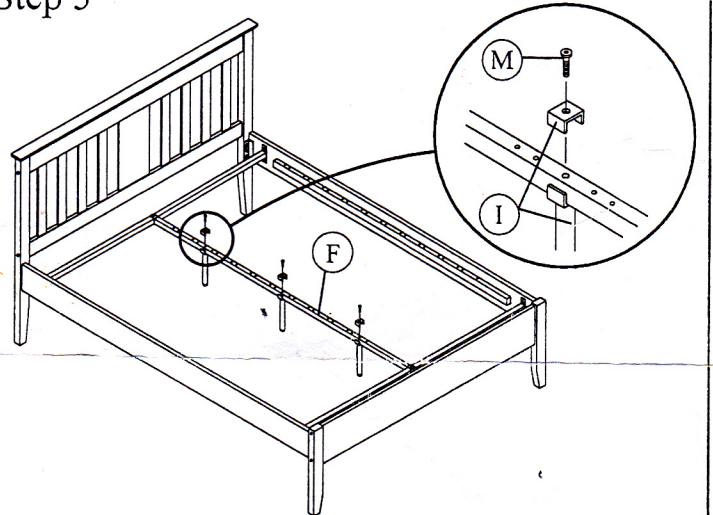
Put in cross bars and fix in bolt 'N' as shown in diagram and tighten all bolts.

Step 4



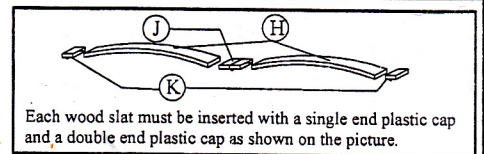
Fix center bar 'F' to cross bar 'G' by follow like diagram as shown.

Step 5

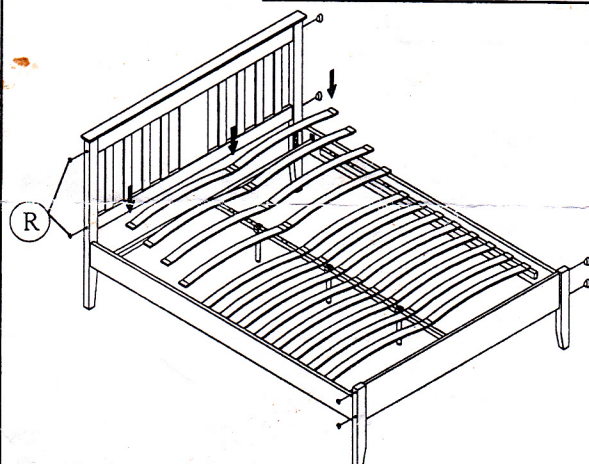


Fix in support leg with bolt 'M'.

Step 6



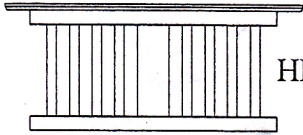

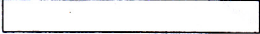

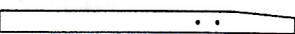

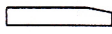
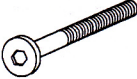
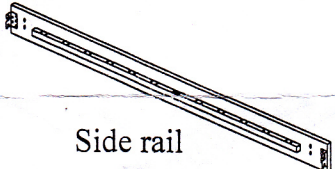
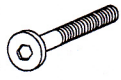
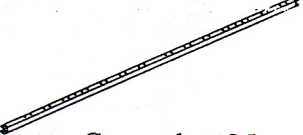

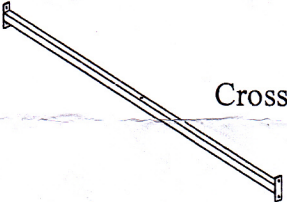
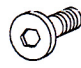
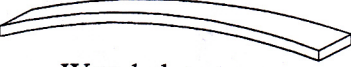
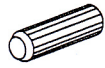


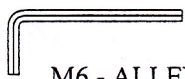
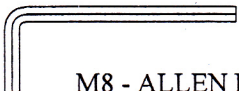
Each wood slat must be inserted with a single end plastic cap and a double end plastic cap as shown on the picture.



Once both wood slats have been inserted with the plastic caps, fix it on the wood side rails and center bar by pressing it accordingly to the default holes. Ensure the plastic cap's pin is aimed to the hole. At last make sure all screws and bolts are tighten. At last fix wood button 'R' as shown.

Please follow our assembly instruction procedure for easier assemble.

PARTS & HARDWARE LIST FOR WC-45-7480L-WSR-BW-75"

NO	PART	QTY	NO	PART	QTY
A	 HEAD FRAME	1 pc	I	 SUPPORT LEG	3 pcs
B	 FOOT FRAME	1 pc	J	 Double end plastic cap	12 pcs
C	 HEAD POST	2 pcs	K	 Single end plastic cap	24 pcs
D	 FOOT POST	2 pcs	L	 M6x80mm	8 pcs
E	 Side rail	2pcs	M	 M8x40mm (assembled)	3 pcs
F	 Center bar 25mm x 25mm	1pc	N	 M6x15mm	8 pcs
G	 Cross bar	2pcs	O	 M8x25mm	12 pcs
H	 Wood slat	24pcs	P	 Wood Dowel	8 pcs
			Q	 M6x30mm	2 pcs
			R	 Wood Button	8 pcs
				 M6 - ALLEN KEY	1 pc
				 M8 - ALLEN KEY	1 pc